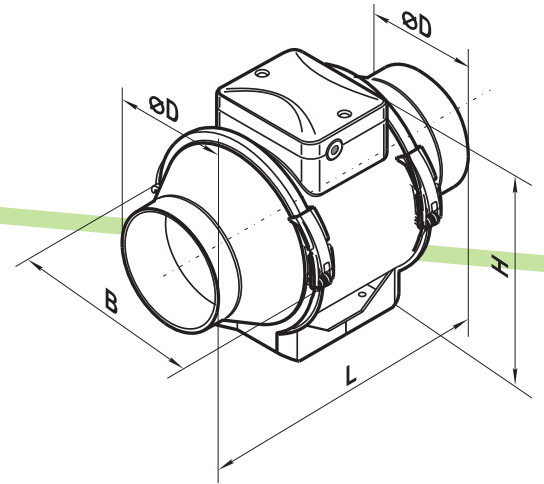
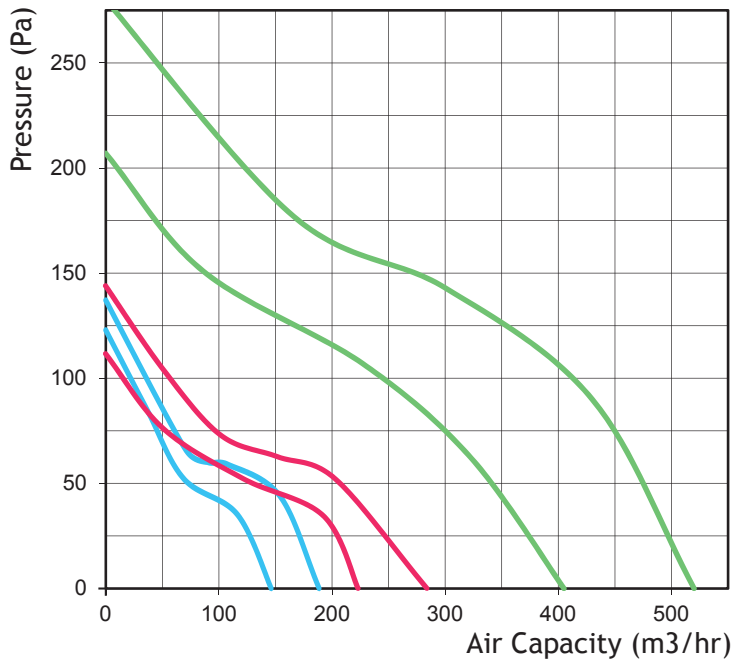


# TT MIXFLOW



The Fanco TT series are designed for supply and exhaust ventilation of premises requiring high pressure and powerful airflow at a low noise level. The fans are compatible with round duct with models from 100mm to 315mm



## DIMENSIONS

SKU	D	B	L	H
EXVUTT100	96	167	246	190
EXVUTT125	123	167	246	190
EXVUTT150	146	223	295	250
EXVUTT150RV	146	223	295	250

SKU	EXVUTT100		EXVUTT125		EXVUTT150 / 150RV	
	Min	Max	Min	Max	Min	Max
Speed						
Voltage	230	230	230	230	230	230
Power (W)	21	33	23	37	30	60
Current (A)	0.11	0.21	0.18	0.27	0.17	0.27
Capacity (m3/hr)	145	187	220	280	405	520
Capacity (l/s)	40.31	51.98	61.16	77.84	112.59	144.56
Capacity (CFM)	85.40	110.14	129.58	164.92	238.54	306.28
RPM (min-1)	2180	2385	1950	2455	1680	2460
Noise Level at 3m (dBA)	27	36	28	37	33	44
Max air temp (°C)	60	60	60	60	60	60
Protection rating	IPX4	IPX4	IPX4	IPX4	IPX4	IPX4