

## VK CENTRIFUGAL SERIES

### • Application

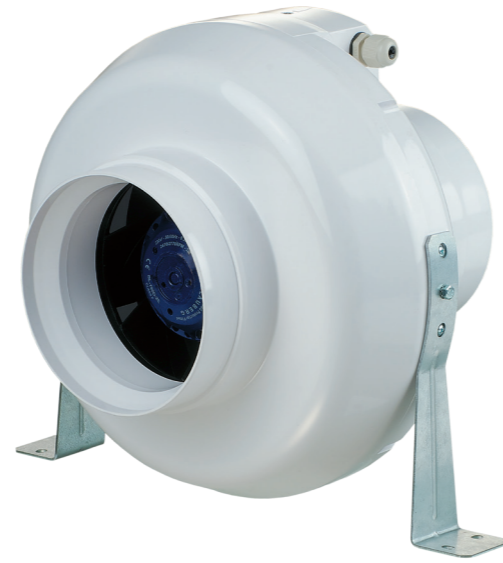
The **Fanco VK series** are designed for supply and exhaust ventilation of premises requiring high pressure and powerful airflow. The fans are compatible with round duct with models from 100mm, 150mm and 200mm. The fan casing is made of corrosion resistant durable plastic.

### • About the motor

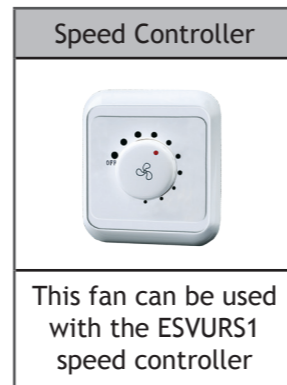
All motors are equipped with a single phase motor. All motors have thermal overheating protection, ball bearings which ensure a motor life expectancy of 40,000 hours at non stop operation. The motor is IP44 rated.

### • Mounting

The fan comes with a fixing bracket and can be mounted horizontally or vertically on a flat surface.

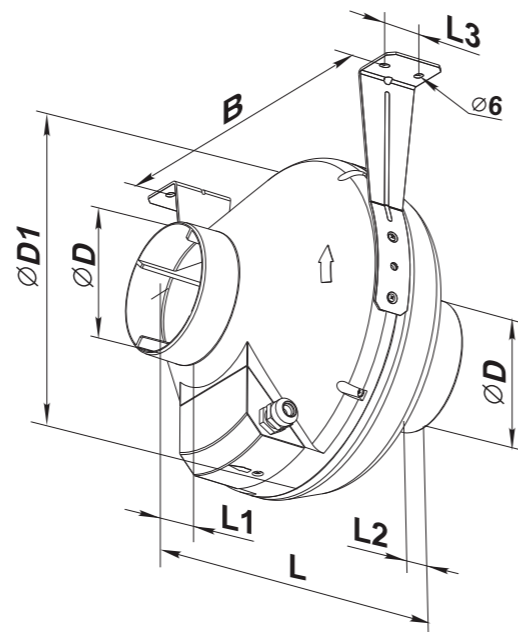


SKU	Description
EXVUVP100	VK 100mm Centrifugal Inline Fan
EXVUVP150	VK 150mm Centrifugal Inline Fan
EXVUVP200	VK 200mm Centrifugal Inline Fan



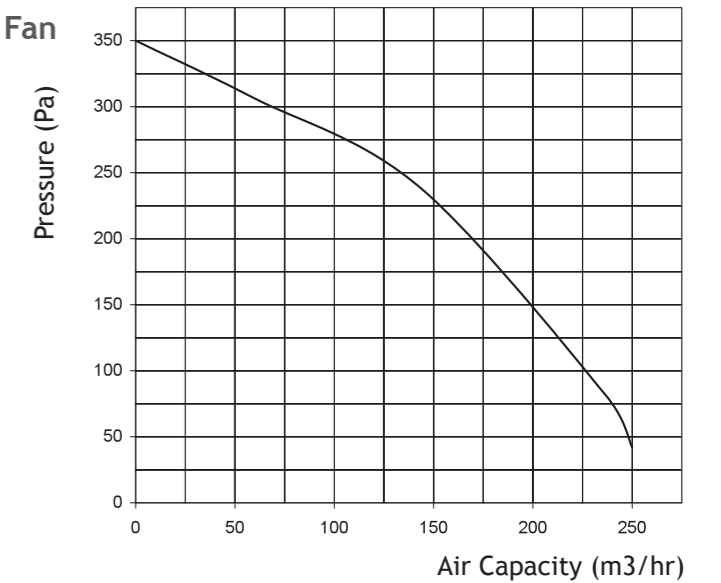
### Fan Overall Dimensions (mm)

SKU	D	D1	B	L	L1	L2	L3
EXVUVP100	100	250	270	230	30	27	30
EXVUVP150	150	300	310	286	30	30	30
EXVUVP200	200	340	354	276	30	30	40



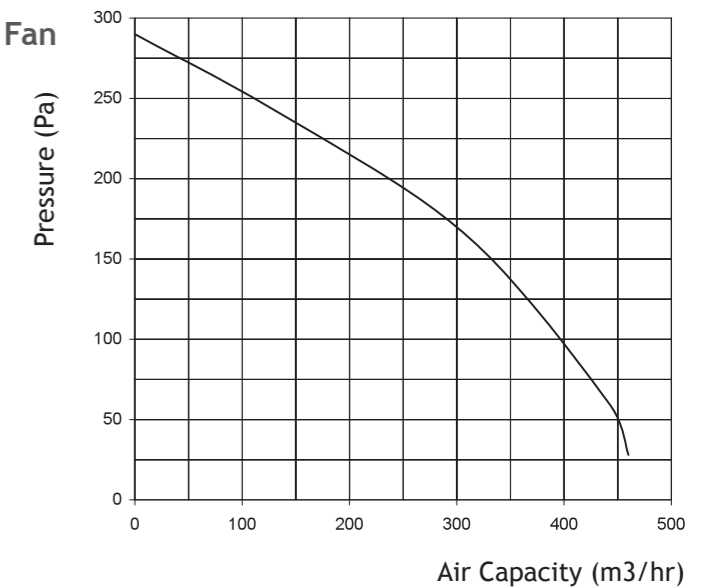
### EXVUVP100 - VK 100mm Centrifugal Inline Fan

Voltage	230
Power (W)	80
Current (A)	0.34
Capacity (m3/hr)	250
Capacity (l/s)	69.5
Capacity (CFM)	147.25
RPM (min-1)	2820
Noise Level at 3m (dBA)	46
Max air temp (°C)	55
Protection rating	IPX4



### EXVUVP150 - VK 150mm Centrifugal Inline Fan

Voltage	230
Power (W)	80
Current (A)	0.35
Capacity (m3/hr)	460
Capacity (l/s)	127.88
Capacity (CFM)	270.94
RPM (min-1)	2725
Noise Level at 3m (dBA)	46
Max air temp (°C)	55
Protection rating	IPX4



### EXVUVP200 - VK 200mm Centrifugal Inline Fan

Voltage	230
Power (W)	173
Current (A)	0.76
Capacity (m3/hr)	930
Capacity (l/s)	258.54
Capacity (CFM)	547.77
RPM (min-1)	2125
Noise Level at 3m (dBA)	51
Max air temp (°C)	45
Protection rating	IPX4

