

SM Mixflow Series

A capable mixflow inline fan available in 4 popular sizes.

IP44
Rated

2
Speeds

DIY
Install

1
Year

1 year
replacement
warranty

150: EXHGF150

200: EXHGF200

250: EXHGF250

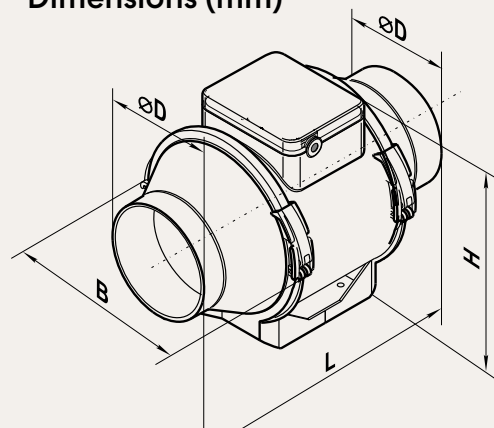
315: EXHGF315

The fan comes with a lead and plug for DIY installation. The fan is wired to the high speed & does not have a speed switch. The fan can be wired to the low speed by an electrician if required.



Dimensions (mm)

Model	D	B	L	H
150	147	227	313	208
200	197	249	302	237
250	247	310	383	286
315	312	386	446	357



	150 Low/High	200 Low/High	250 Low/High	315 Low/High
Voltage	220 - 240	220 - 240	220 - 240	220 - 240
Current (A)	0.19 / 0.22	0.52 / 0.53	0.75 / 1.20	1.40 / 1.90
Power (w)	44 / 54	123 / 128	165 / 255	275 / 390
Noise Level dB(A)	TBC	TBC	TBC	TBC
Capacity (m3/hr)	410 / 530	690 / 840	1064 / 1405	1750 / 2206
Capacity (l/s)	113.89 / 147.22	191.66 / 233.33	295.56 / 390.27	486.11 / 612.78
Capacity (CFM)	241.32 / 311.94	406.10 / 494.39	626.25 / 826.94	1030 / 1298.40
Duct Size (mm)	150	200	250	315*

Maximum temperature of transferred air 60°. The fan is designed for indoor application with the ambient temperature ranging from +1 °C up to +40 °C and relative humidity up to 80 %.

*We recommend using 350mm diameter flexible ducting

Central motor can easily be removed from the mounting bracket, which also has the inlet & outlet flanges built in.

