

# LD Auto Series

The IP24 rated LD Auto features a modern design and aesthetic look with an attractive square fascia.

IP24  
Rated

Low  
Profile

Ceiling  
or  
Wall

2  
Year

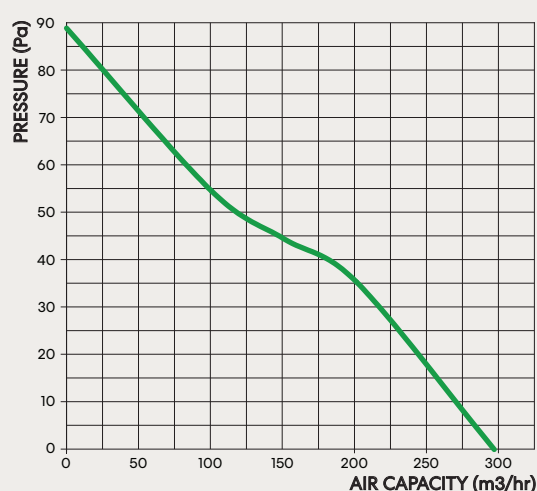
2 year  
replacement  
warranty

fanco

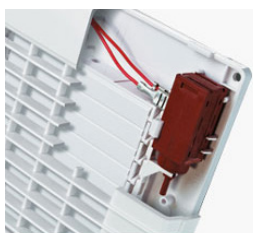
150 Auto Shutters: EMVULDA3WH

150 Auto Shutters & Timer: EMVULDAT3WH

This model has an inbuilt run on timer and can be set to continue operating for 2-30 mins after turning the unit off.



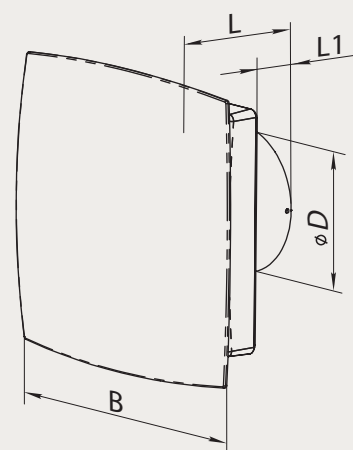
Fan Off - Shutters Closed



Fan On - Shutters Open



Dimensions (mm)



Voltage	220-240
Current (A)	0.13
Power (w)	26
Noise Level dB(A)	39
Capacity (m3/hr)	295
Capacity (l/s)	81.94
Capacity (CFM)	173.62
Duct Size (mm)	150

Model	D	B	L	L1
150	150	240	137	81

The built in auto shutter provides automatic opening/closing once the unit is turned on/off. The impeller design enhances the fan efficiency and prolongs the motor service life. This fan is well suited for walls with limited cavity space – the flange requires only 81mm (dimension L1)