

Luna / Metro

CCT LED Series

DIY
Install

High
Airflow

Low
Noise

2
Year

2 year
replacement
warranty

Luna CCT LED Quiet Boost 250: ECFCLL44W

Metro CCT LED Quiet Boost 250: ECFCML44W

The Luna/Metro Quiet Boost LED is a high quality modern ceiling exhaust fan that can be connected to 150mm ducting. Featuring a 14w Tri Colour LED light - choose from 3000k, 4200k or 6000k via a switch on the rear of the fascia.



Luna



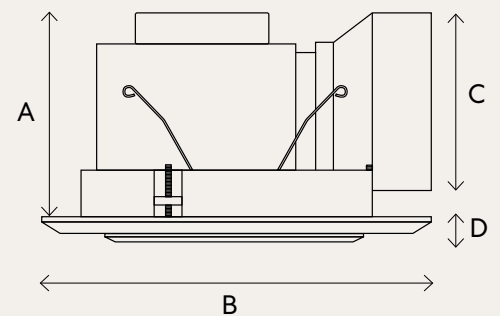
Metro

Luna / Metro 250

Voltage	240
Current (A)	0.146
Power (w)	42
Noise Level dB(A)	< 45
Capacity (m3/hr)	400
Capacity (l/s)	111.11
Capacity (CFM)	235.43
Duct Size (mm)	150

LED Light Specs	Luna / Metro 250
Lumens	1000
Light Temp (k)	3000k, 4200k or 6000k
Power (w)	14

Dimensions (mm)



Model	A	B	C	D	Cutout
250	194	325	150	28	290

Minimum install depth 220mm

Luna features a round fascia - Metro is square.