

OV Series

A quality commercial grade axial exhaust fan offering a high extraction rate. Available in three sizes.

IP24
Rated

European
Made

High
Airflow

2
Year

2 year
replacement
warranty

OV1 250:
ECVUOV250

OV1 315:
ECVUOV315

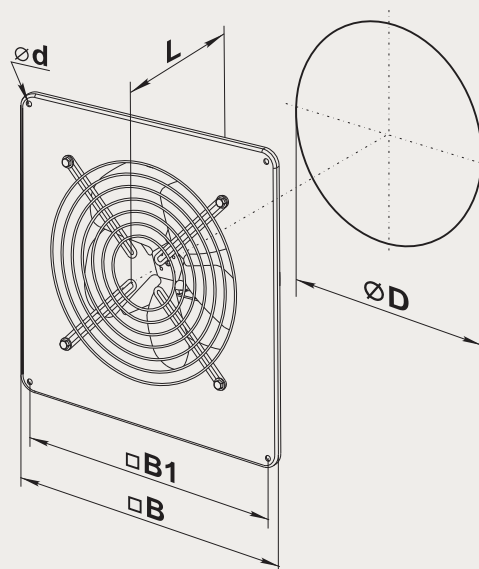
OV 4E 350:
ECVUOV350E



All models can be used with the ESEEAS speed controller. This is a dimmer style speed switch.



Dimensions (mm)



	OV1 250	OV1 315	OV 4E 350
Voltage	230	230	220-240
Current (A)	0.48	0.75	0.65
Power (w)	68	110	140
Noise Level dB(A)	48	54	62
Capacity (m3/hr)	1070	1700	2500
Capacity (l/s)	297.46	472.6	694.44
Capacity (CFM)	630.23	1001.3	1471.44
Duct Size (mm)	250	315	400

Model	OV1 250	OV1 315	OV 4E 350
B	370	430	485
B1	320	380	435
D	ø262	ø312	ø388
L	140	170	200
d	ø7	ø9	ø9

The Fanco OV1 and OV 4E are suitable only for internal wall or ceiling mounting. It can however be connected to duct so that air may be exhausted out of the house.

Maximum temperature of transferred air 40°. The fan is designed for indoor application with the ambient temperature ranging from +1 °C up to +40 °C and relative humidity up to 80 %.